



LiteWide Node

GSM Luminaire Controller

LiteWide – decentralized wireless management system for areas with high density of buildings or mountainous terrain, and for regions where legislation prohibits using radio control. Each LiteWide node has built-in GSM and connects directly to the server. The lights/cabinets are programmed and controlled directly from software without any intermediate gateways. LiteWide takes advantage from existing GSM network which leads to quicker and easier deployment.



Key Features

- Versions with open wires and NEMA plug
- Waterproof case IP65/IP66
- Individual lighting control without additional wires
- Variable output interfaces/protocols - DALI/DSI, Modbus RTU/ASCII, DMX512
- Embedded luminance sensor
- Embedded GSM antenna
- Embedded GPS/GLONASS receiver
- Embedded triac for load switching on/off
- Scheduled on/off and dimming
- Automatic node positioning on the map
- Motion sensor input



QULON CMS

QULON is a powerful yet extremely flexible Central Management System for street lighting. A combination of software applications and different hardware technologies that will offer you full control over any kind of lighting network enabling activity scheduling, real time faults notification, remote meter reading, performance analysis, custom dimming scenarios creation, maintenance workflow management and much more, increasing efficiency and cutting down costs.

LiteWide Node

GSM Luminaire Controller

Version: 1.1
10 Jun 2019

Technical Specifications

• Mechanical

Housing: Solid case

Material: Plastic

Dimensions, mm: 84(D) x 44(H) x 84(W)

Mass: 0.2 kg

Mounting: Luminaire case, pillar, etc

• Power & Electrical

Input Voltage: ~100-270 VAC, 50/60 Hz

Input Power (max): 5 W

Max load Power: 800 W

• Environmental

Operating Temperature: -40...+70°C

Storage Temperature: -50...+80°C

Operating Relative Humidity (max): 100%

IP Rating: IP65 and IP66

Certification: CE, RoHS

Warranty: 36 Month (Return to base)

• Inputs/ Outputs

Connectors: Wires, NEMA C136.41 plug

Sensors:

Embedded luminance sensor,
Motion sensor input

• Interfaces and Protocols

Control output interface/protocols:

DALI, Modbus, DMX512

Navigation: GPS/GLONASS

Radio Channel: GSM 850/900/1800/1900

Transmit Power Range(s):

Class 4 (+33dBm ± 2dB) for EGSM 850/900

Class 1 (+30dBm ± 2dB) for GSM 1800/1900

• Configuration/ Indication

Setup: Remote via software

Indication: LED

• Package Contents

LiteWide Node

Product Line

Name

LiteWide Node

Modification

NEMA connection, DALI protocol

NEMA connection, Modbus protocol

NEMA connection, DMX512 protocol

Wired connection (1.5m), DALI protocol

Wired connection (1.5m), Modbus protocol

Wired connection (1.5m), DMX512 protocol

Product code

QUL-LW-N-DAL

QUL-LW-N-RS

QUL-LW-N-DMX

QUL-LW-W-DAL

QUL-LW-W-RS

QUL-LW-W-DMX



+ 44 (0) 208 991 33 19
office@sundrax.com
www.sundrax.com

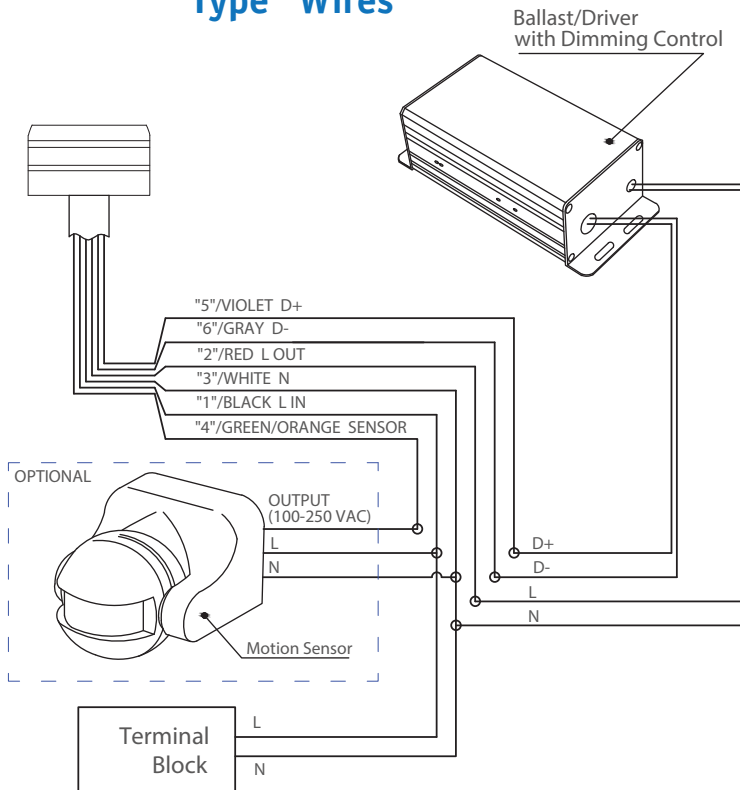
LiteWide Node

GSM Luminaire Controller

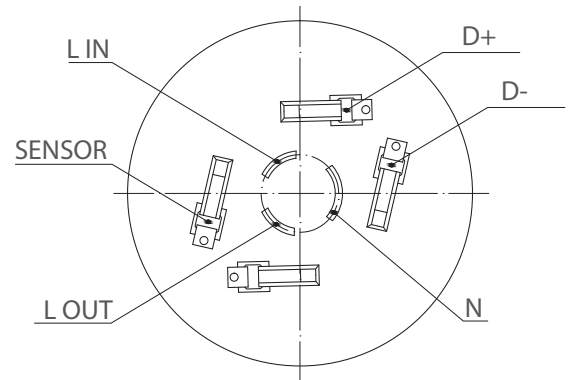
Version: 1.1
10 Jun 2019

Connection Scheme

Type "Wires"



Type "NEMA"



ANSI C136.41-2013 COMPATIBLE

Alternative wire colors

N	LIN	LOUT	D+	D-
Blue	Brown	Yellow-green	White	Black



Disclaimer

To the best of our knowledge, the technical data contained herein is true and accurate at the date of issuance and is subject to change without prior notice. No liability accepted for errors or omissions. Always make sure to use the most recent release and contact Sundrax Electronics to verify correctness before placing your order.

Accessories

Name

- 5-pin connector socket (NEMA)
- 7-pin connector socket (NEMA)
- Motion Sensor Radio
- Motion Sensor IR
- Kit for mounting on the pillar
- Kit for mounting on the wall
- Kit for mounting on the lighting cabinet

Product code

- QUL-ACC-NEM-135
- QUL-ACC-NEM-137
- QUL-ACC-RFM-111
- QUL-ACC-RFM-112
- QUL-ACC-RFM-142
- QUL-ACC-RFM-143
- QUL-ACC-RFM-144



+ 44 (0) 208 991 33 19
office@sundrax.com
www.sundrax.com